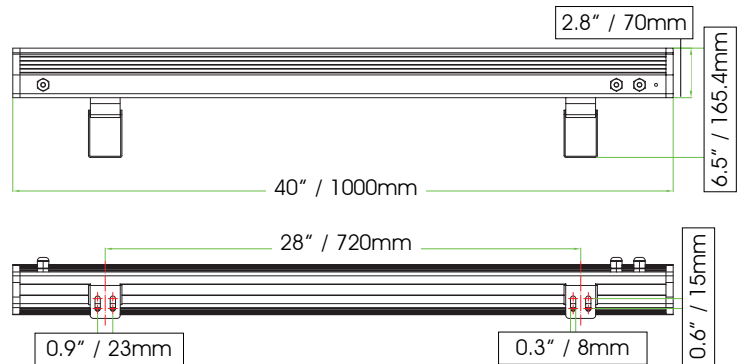




Optional wireless infrared remote available: ELAR WR



ELAR EXBAR BL Dimensions

The ELAR EXBAR BL by Elation Architectural is a high output 30W outdoor LED 1-meter (40") bar featuring 240 x 10mm LEDs (48 red, 102 green, 90 blue), RGB color mixing producing infinite colors, 0-100% electronic dimming, slow to fast strobing and a 40° beam angle. The unit is made of a high quality die-cast aluminum housing with the design of the fixture optimized providing a UV protected front Plexiglas. The ELAR EXBAR BL is rated at IP44, ideal for indoor or outdoor applications and includes outdoor rated power and data cables along with a/c power 120v input PPG cable (a 240V model is available). This unit is power/data linkable and is equipped with an internal power supply. The unit is safe in any working position and includes two moveable mounting brackets. The ELAR EXBAR BL can be operated in two user modes: DMS-512 or stand alone. There are seven DMX modes: 2, 3, 4, 6, 7, 9 and 11 channel mode. An optional accessory for this fixture is the ELAR WR wireless infrared remote where users can access internal programs and allow manual control of the unit as well as set DMX start channel address. Includes 2 mounting brackets that can adjust to any position on the rear of the bar and angle the fixture within 180° range.

FEATURES

- High output LED RGB 1-meter outdoor bar
- 240 x 10mm LEDs (48 Red, 102 Green, 90 Blue)
- RGB Color Mixing (infinite colors)
- Standard 40° beam angle
- IP 44 outdoor rated
- Die-cast aluminum housing
- UV protected front plexi
- Internal power supply
- Power / Data linkable
- DMX-512 or stand alone
- Optional wireless infrared remote available: ELAR WR

TECHNICAL SPECIFICATIONS

- **DMX Channels:** 11 DMX Channels with 7 DMX modes: 2 channel mode, 3 channel mode, 4 channel mode, 6 channel mode, 7 channel mode, 9 channel mode and 11 channel mode
- **Control:** USITT DMX-512, 3 pin XLR serial input/output
- **Dimmer:** 0-100% Electronic Dimming
- **Strobe:** Slow to fast
- **IP Rating:** IP 44
- **Power Supply:** 120V/60Hz or 240/50Hz
- **Power consumption:** 30W
- **Lamp:** 240 x 10mm LEDs (48 Red, 102 Green, 90 Blue)
- **Dimensions:** (LxWxH): 39.25" x 3.25" x 3" / 998 x 79 x 69 mm
- **Weight:** 10 lbs. / 4.5 kgs.
- **Rigging:** 2 moveable mounting brackets

ELAR EXBAR BL



COLORS

- 240 x 10mm LEDs (48 Red, 102 Green, 90 Blue)
- RGB Color Mixing (infinite colors)



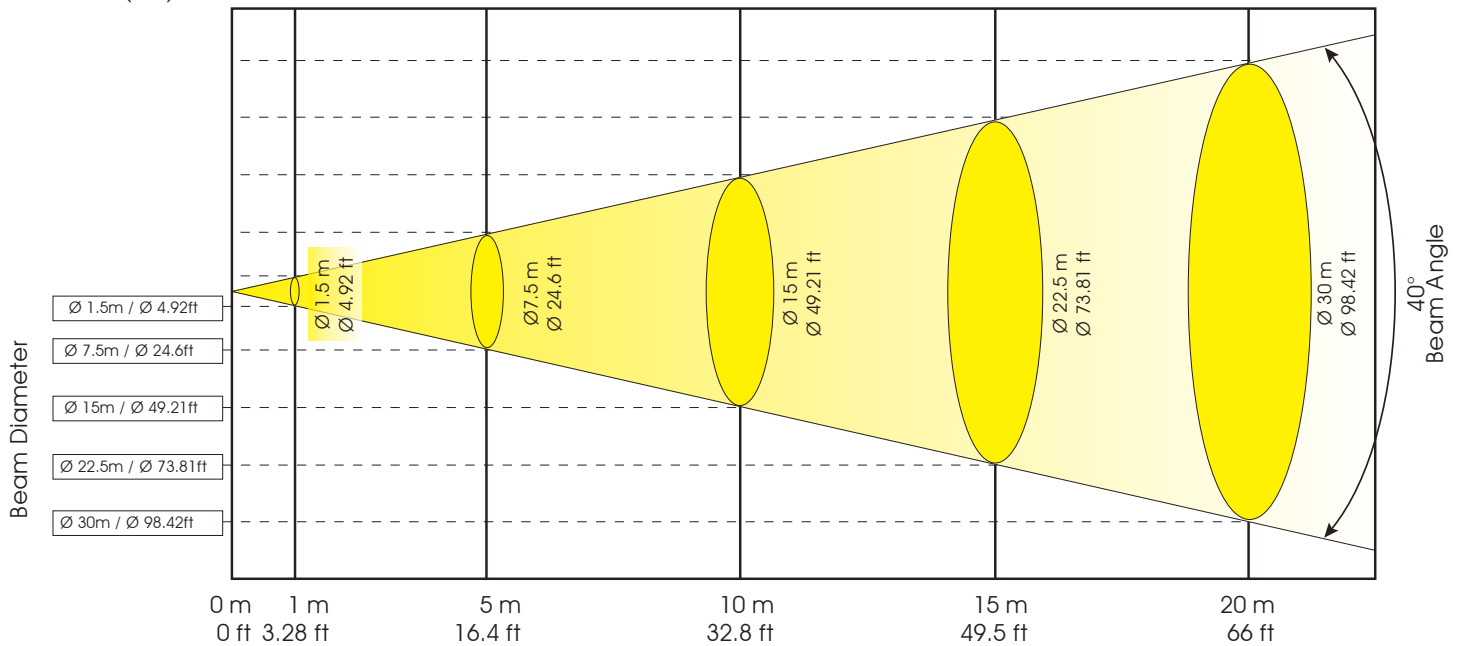
PHOTOMETRICS

ELAR EXBAR BL Photometric Beam Angle Data

Standard Beam Angle 40°

$$\text{LUX} \times 0.0929 = \text{FC}$$

R (48)	47 FC / 506 LUX	15 FC / 157 LUX	3 FC / 35 LUX	2 FC / 20 LUX	1 FC / 11 LUX
G (102)	94 FC / 1013 LUX	19 FC / 201 LUX	4 FC / 41 LUX	3 FC / 33 LUX	1.5 FC / 16 LUX
B(90)	82 FC / 881 LUX	17 FC / 179 LUX	3.4 FC / 37 LUX	2.6 FC / 27.5 LUX	1.2 FC / 13 LUX
RGB (240)	178 FC / 1911 LUX	26 FC / 277 LUX	8 FC / 82 LUX	5 FC / 55 LUX	3 FC / 33 LUX



DMX TRAITS

DMX mode 1: 3 Channel Mode

Channel	Value	Function
1	1 - 255	Red (0% - 00%)
2	1 - 255	Green (0% - 100%)
3	1 - 255	Blue (0% - 100%)

DMX mode 2: 4 Channel Mode

Channel	Value	Function
1	1 - 255	Red (0% - 00%)
2	1 - 255	Green (0% - 100%)
3	1 - 255	Blue (0% - 100%)
4	1 - 255	Dimming (0 - 100%)

DMX mode 3: 9 Channel Mode

Channel	Value	Function
1	1 - 255	Red 1 (0% - 00%)
2	1 - 255	Green 1 (0% - 100%)
3	1 - 255	Blue 1 (0% - 100%)
4	1 - 255	Red 2 (0% - 00%)
5	1 - 255	Green 2 (0% - 100%)
6	1 - 255	Blue 2 (0% - 100%)
7	1 - 255	Red 3 (0% - 00%)
8	1 - 255	Green 3 (0% - 100%)
9	1 - 255	Blue 3 (0% - 100%)

DMX mode 4: 11 Channel Mode

Channel	Value	Function
1	1 - 255	Red 1 (0% - 00%)
2	1 - 255	Green 1 (0% - 100%)
3	1 - 255	Blue 1 (0% - 100%)
4	1 - 255	Red 2 (0% - 00%)
5	1 - 255	Green 2 (0% - 100%)
6	1 - 255	Blue 2 (0% - 100%)
7	1 - 255	Red 3 (0% - 00%)
8	1 - 255	Green 3 (0% - 100%)
9	1 - 255	Blue 3 (0% - 100%)
10	1 - 255	Strobing: slow - fast
11	0 - 255	Dimming: 0 - 100%

DMX mode 5: 2 Channel Mode

Channel	Value	Function
1	0 - 215	Macros/Programs
2	0 - 255	Program speed: slow - fast

DMX mode 6: 6 Channel Mode

Channel	Value	Function
1	1 - 255	Red (0% - 00%)
2	1 - 255	Green (0% - 100%)
3	1 - 255	Blue (0% - 100%)
4	0 - 255	Macros/programs
5	0 - 255	Strobing
6	0 - 255	Dimming

DMX mode 7: 7 Channel Mode

Channel	Value	Function
1	1 - 255	Red (0% - 00%)
2	1 - 255	Green (0% - 100%)
3	1 - 255	Blue (0% - 100%)
4	0 - 255	Macros/programs
5	0 - 255	Program speed: slow-fast
6	1 - 255	strobing: slow to fast
7	1 - 255	Dimming: 0 - 100%

Product Order Code	Description
ELAR EXBAR BL	High output LED RGB 1-meter outdoor bar
Accessories Order Code	Description
ELAR WR	Wireless infrared remote
ELAR 3C-1M	3 PIN SIGNALAR EXT. CABLE 1 M
ELAR 3C-5M	3 PIN SIGNALAR EXT. CABLE 5 M
ELAR T-DMX-1	3 PIN DMX FIRST CABLE SIGNALAR EXT. CABLE 1M
ELAR T-DMX-5	3 PIN DMX FIRST CABLE SIGNALAR EXT. CABLE 5M